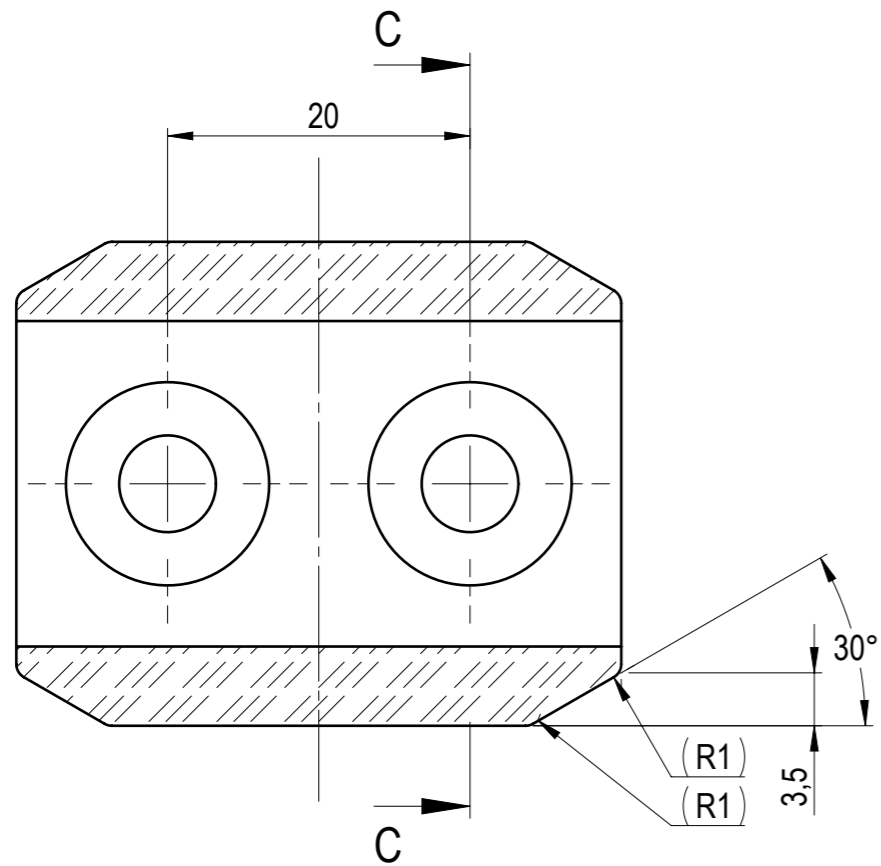
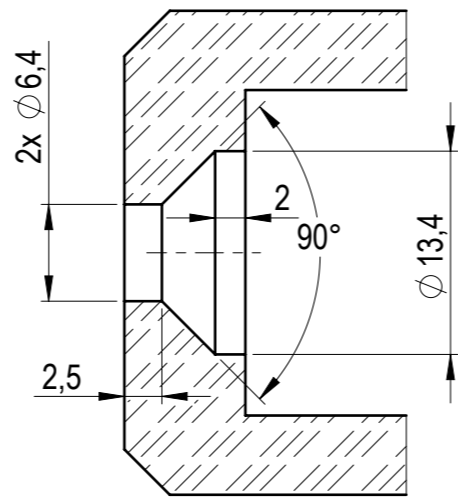


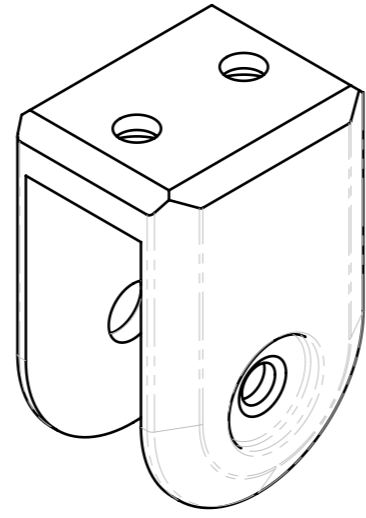
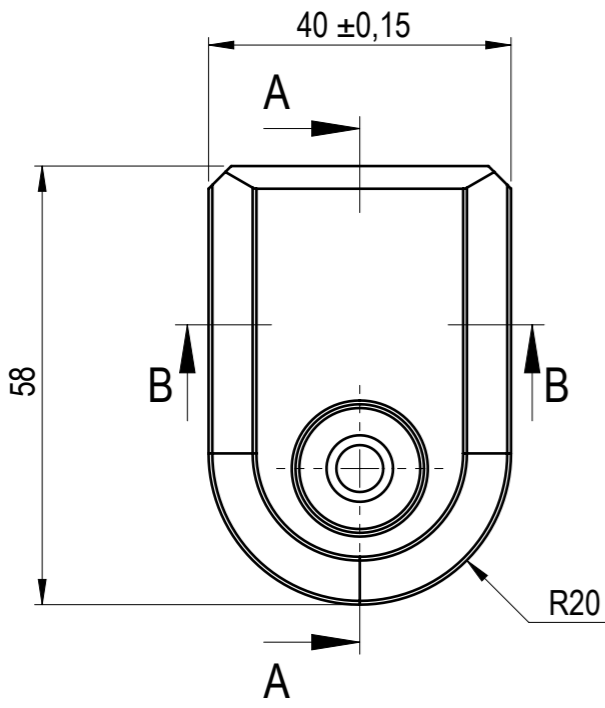
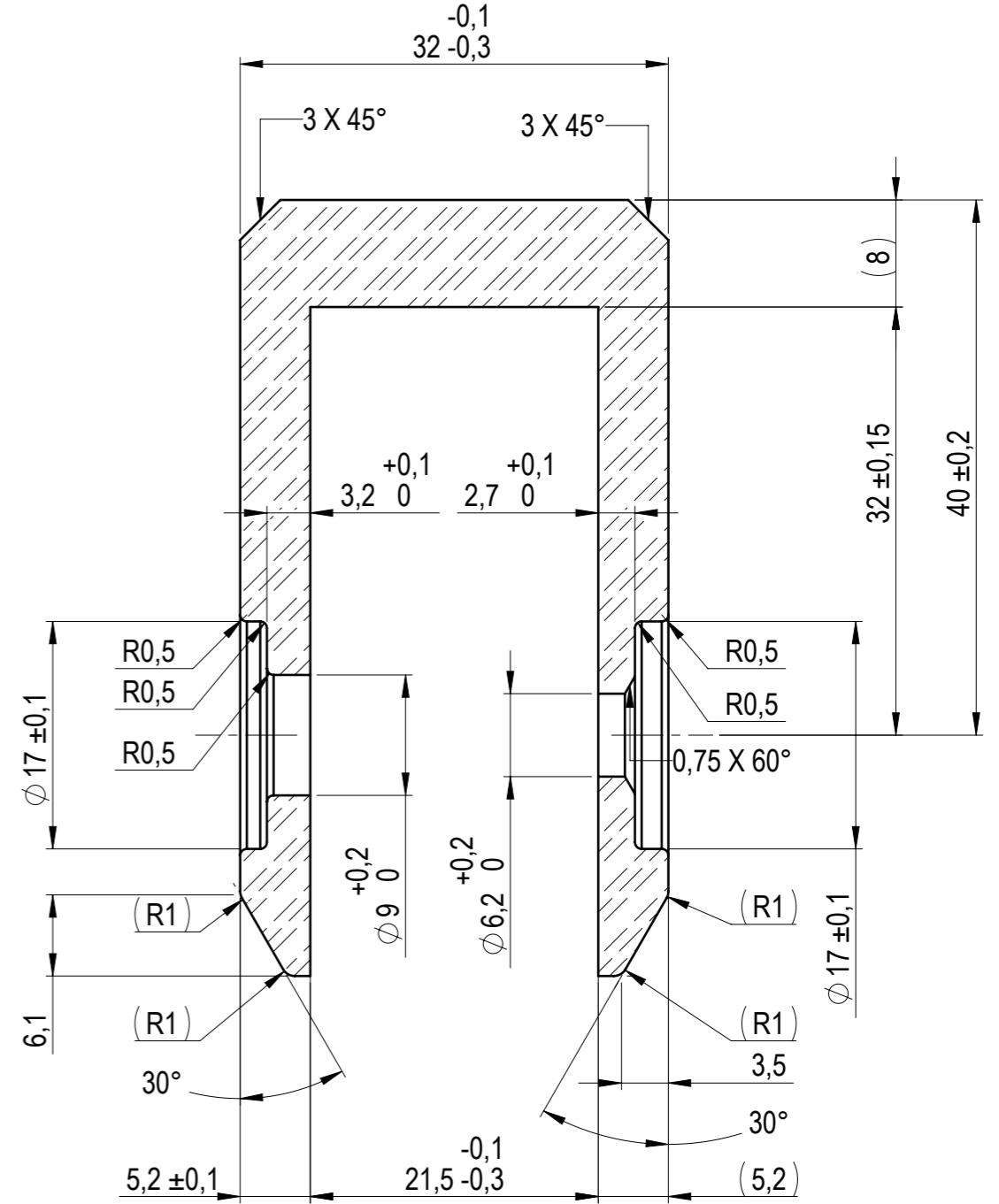
B-B
SCALE: 2 : 1



C-C
SCALE: 2 : 1



A-A
SCALE: 2 : 1



		MATERIAL	6082 T6	WEIGHT	0.063 Kg	DEBURR AND BREAK SHARP EDGES	DO NOT SCALE DRAWING	REVISION	DATE
		SURFACE PROTECTION	-	MACHINING	ISO 2768 mK	THERMAL CUTTING	ISO 9013 441	WELDING	ISO 13920 BF
DESIGNED BY	A. Menkins	PART NO.		105-01410-04				SCALE	1:1
DRAWN BY	A. Menkins	DESCRIPTION		Bracket				FORMAT	A3
TECHNICAL REF.								SHEET 1/1	